



c8j

Bi-amp 8in Compact Enclosure System

Applications

- Small to big venue, fixed installation & mobile
- Performing Art , public address,
- Live musical event, entertainment outlet
- Houses of worship & theater
- Hotel ballroom and conference

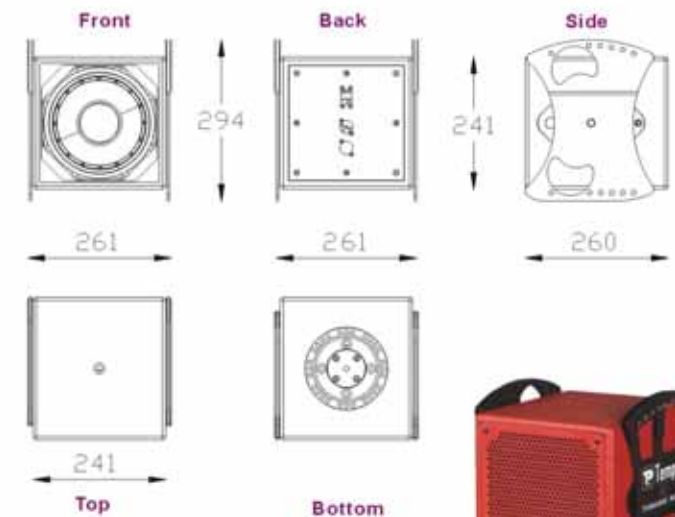
Technical Specifications

System	LF: 1x 8in, HF: 1x 1.75 in neo, closed box
Usable Bandwidth	130Hz~18kHz
Power Rating (cont.)	LF: 250W/ HF: 50W
Impedance	8 ohm
Max. SPL	120dB cont. Calculated
Dispersions Angle	Horizontal :100° , Vertical: 100°
Enclosure Material	15mm Birch plywood
Suspension/Rigging	Degree increment : 0, 2.5, 5, 7.5, 10
Connectors	2x NL4 speakon
Grille	Perforated steel with back foam
Colors/ Finish	Black, Custom colors available
Net Weight	7 kgs (neo verison)
Dimensions (WxHxD)	241 x 241 x 260 mm
Accessories	Top flying bumper
Recommended LPF/ HPF	LPF: 1k~1.5kHz/ HPF: 100~150Hz

Features

- Bi-amp/ passive operating mode
- Compact & light, high handling power
- Space saving for mobile & storage
- Less labor & set up time for touring
- Flexible & Multi-configuration system

Dimensional Drawings





c8j

Bi-amp 8in Compact Enclosure System

Flying Configuration



As Cube

As Puzzle



Various Array configuration set up



Stand alone



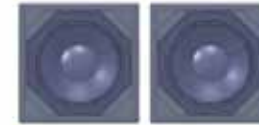
Horizontal Bi-cabinet



Vertical Quad-cabinet



Vertical Bi-cabinet



Horizontal Quad-cabinet